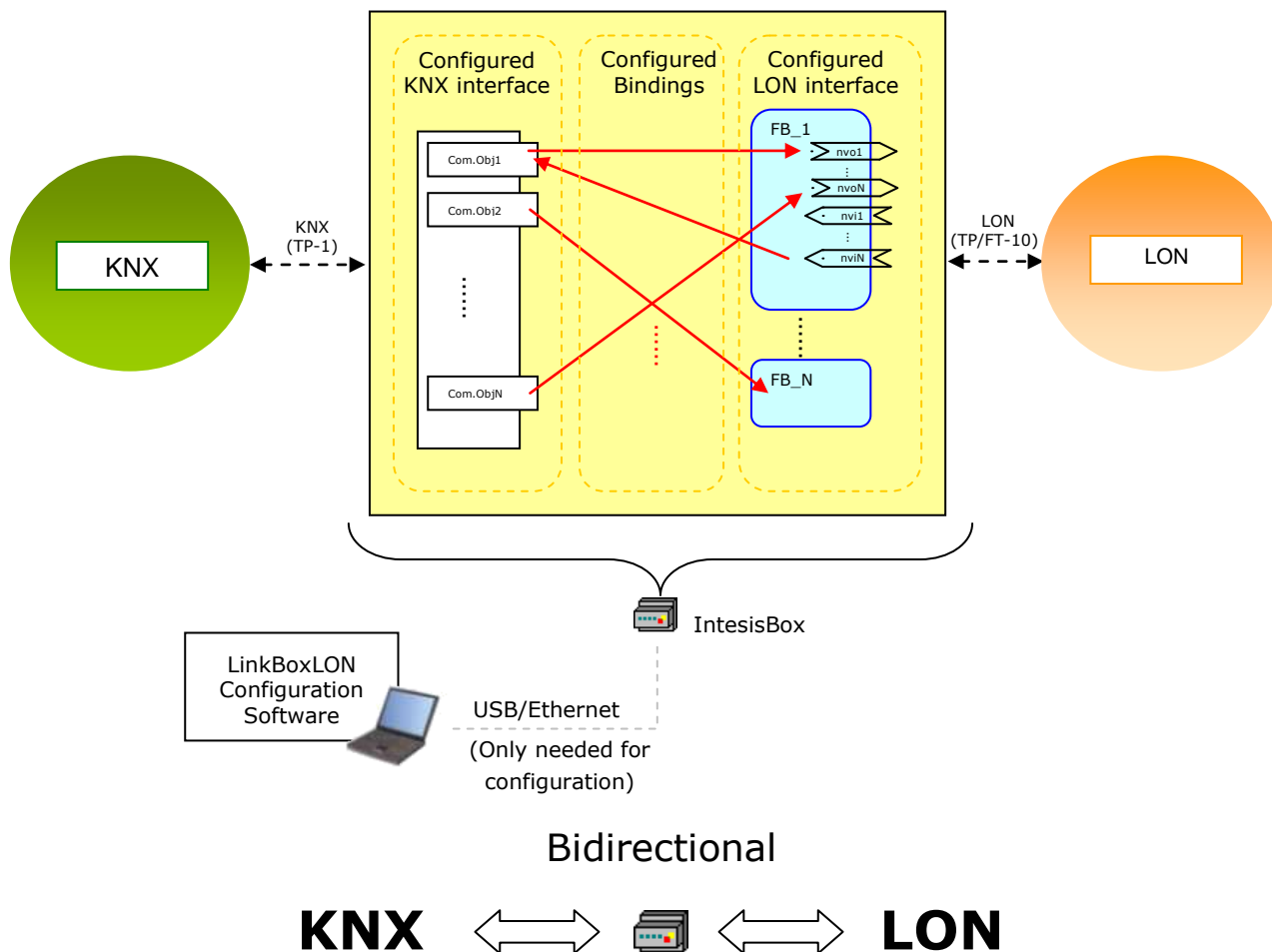


IntesisBox® LON - KNX

Gateway for the integration of KNX devices into LonWorks networks



Full and transparent integration of KNX installations (lighting control, window blinds control...) into LonWorks based building management systems (TAC, Kieback&Peter...) now is possible with this powerful and cost effective solution.

The whole KNX installation is seen as one more node from the LonWorks network, fully compatible with any standard LonWorks commissioning tool (LonMaker and others).

IntesisBox LON series are configured using *LinkBoxLON*, a software tool for Windows™ which is supplied along with the purchase of IntesisBox with no additional cost. *LinkBoxLON* provides a powerful and friendly graphical interface for an easy configuration of the gateway.

The LON and KNX interfaces of IntesisBox are fully configurable using *LinkBoxLON*, allowing great flexibility of integration. Once configuration is done, *LinkBoxLON* can generate the XIF file of the LON interface of IntesisBox, or it can be also retrieved directly from IntesisBox through the LonWorks network. KNX group addresses can be imported from ETS exported files in CSV or ESF format, and assigned to the internal communication objects by a simple drag & drop operation.

IntesisBox Capacity

Element	Tiny Version	Basic Version	Extended Version	Comments
LON interface				
Supported number of network variables	4000	4000	4000	
Supported SNVT master list				LonMark's version 13.02 (January 2008)
Supported number of address table entries	512	512	512	
KNX interface				
Supported number of communication objects	200	500	4000	
Supported number of group addresses	8000	8000	8000	
Supported EIS-types				EIS-1 Switching (1bit) EIS-2 Dimming (4bit) EIS-3 Time (24bit) EIS-4 Date (24bit) EIS-5 Float (16bit) EIS-6 Scaling (8bit) EIS-7 Drive Control (1bit) EIS-8 Priority (2bit) EIS-9 Float IEEE (32bit) EIS-10 Counter (16bit) EIS-11 Counter (32bit) EIS-13 ASCII char (8bit) EIS-14 Counter (8bit) EIS-15 String (14byte)

There are three different versions of *IntesisBox*® LON - KNX with different capacity every one of them:

- Tiny version with capacity of 200 communication objects. Order Code: IBOX-LON-KNX-200
- Basic version with capacity of 500 communication objects. Order Code: IBOX-LON-KNX-A
- Extended version with capacity of 4000 communication objects. Order Code: IBOX-LON-KNX-B

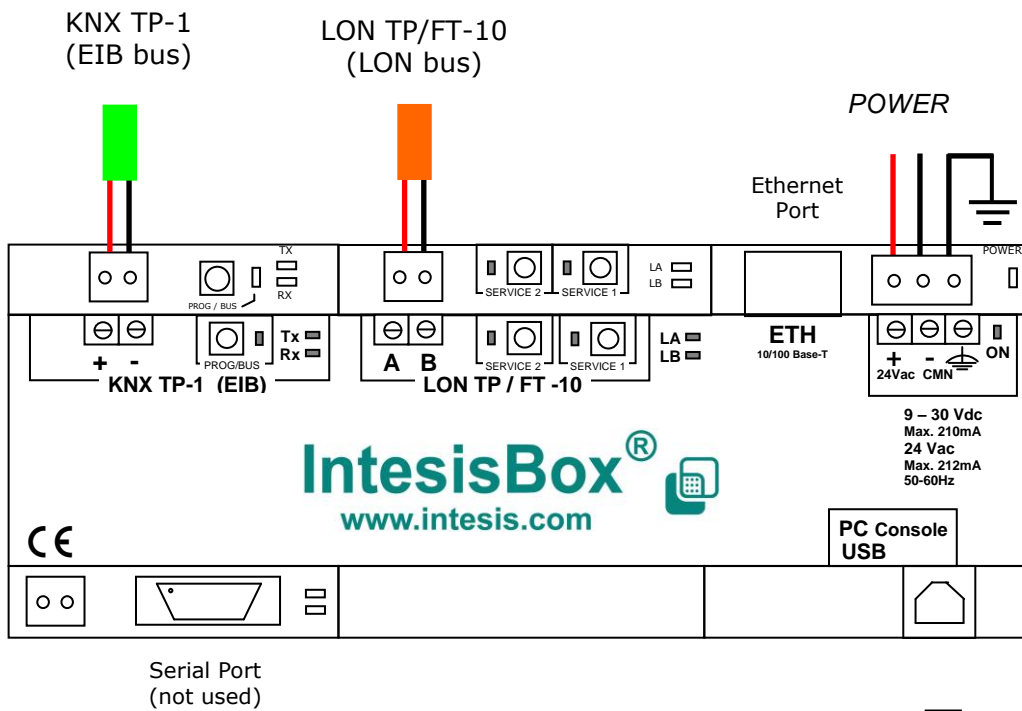
Mechanical & Electrical characteristics

Enclosure	Plastic, type PC (UL 94 V-0). Dimensions: 159mm x 105mm x 58mm.
Color	Grey. RAL 7035.
Power	De 9 a 30Vcc +/-10%, Máx.: 210mA 24Vca +/-10% 50-60Hz, Máx.: 212mA Must use a NEC Class 2 or Limited Power Source (LPS) and SELV rated power supply. Plug-in screw terminal block (2 poles) for 12 AWG cable.
Terminal wiring (for power supply and low-voltage signals)	Per terminal: solid wires or stranded wires (twisted or with ferrule) 1 core: 0.5mm ² ... 2.5mm ² 2 cores: 0.5mm ² ... 1.5mm ² 3 cores: not permitted
Mounting	Wall DIN rail EN60715 TH35.
LON Port	1 x LON TP/FT-10. Plug-in screw terminal block (2 poles) for 12 AWG cable. TNV-1
KNX Port	1 x KNX TP1 (EIB) opto isolated. Plug-in screw terminal block (2 poles) for 12 AWG cable. TNV-1
LED indicators	1 x Power. 2 x KNX port activity (Tx, Rx). 2 x Gateway status: LA (LON status), LB (KNX status) 1 x KNX programming. ¹ 2 x LON Service LED.
Switches	1 x KNX programming. ¹ 2 x Service LON.
Console port	USB. Type B female standard connector. SELV
Ethernet port	1 x Ethernet 10/100Base-T connector RJ45.
Configuration	Via USB console port and/or Ethernet interface ²
Firmware	Allows upgrades via USB console port and/or Ethernet interface
Operational temperature	0°C to +60°C
Operational humidity	10% to 90%, non condensation
Protection	IP20 (IEC60529).
RoHS conformity	Compliant with RoHS directive (2002/95/CE).
Norms and standards	CE conformity to EMC directive (2004/108/EC) and Low-voltage directive (2006/95/EC) EN 61000-6-2 EN 61000-6-3 EN 60950-1 EN 50491-3

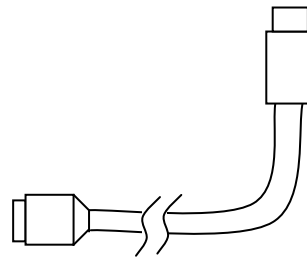
¹ Not operational for the moment. Reserved for future use.

² Standard cable USB type A-B of 1,8 meters length is supplied with the device for connection to a PC USB port for configuring and monitoring the device. The configuration software, compatible with Windows® operating systems, is also supplied.

Connections

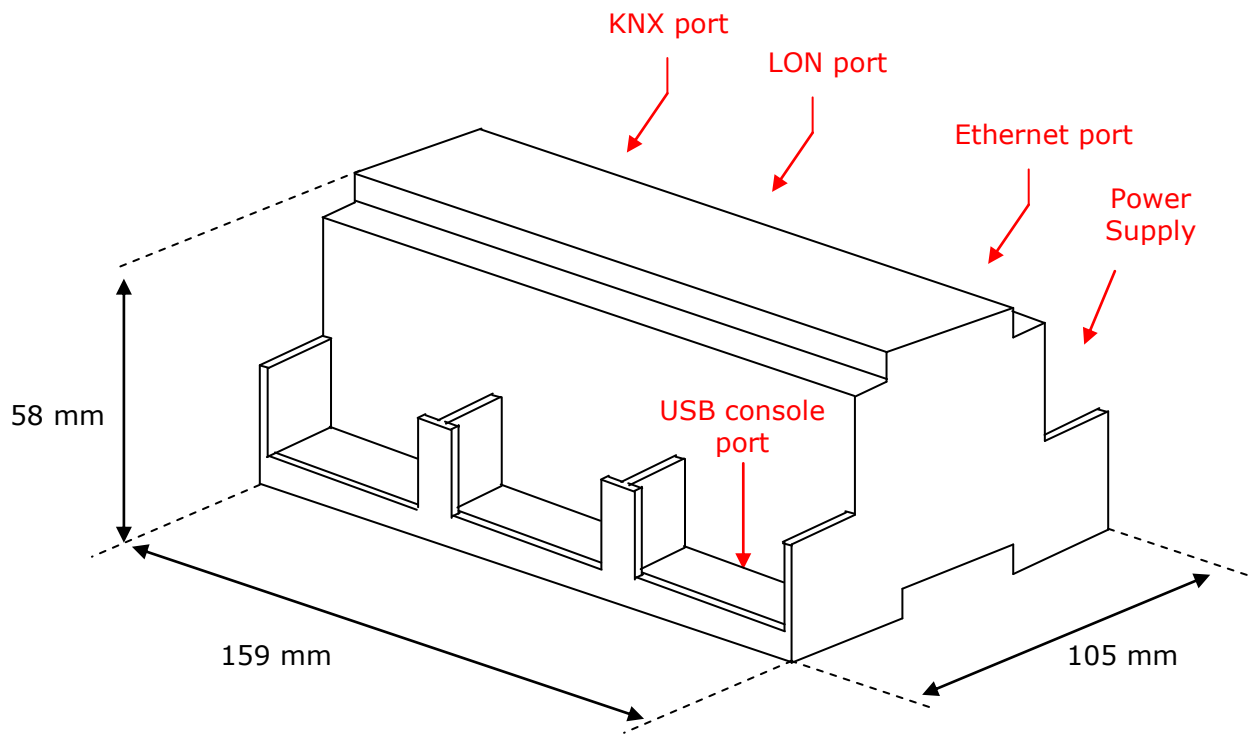


LinkBoxLON
Only needed for
configuration



USB standard 1.8m
cable supplied along
with the device

Dimensions



Recommended available space for its installation into a cabinet (wall or DIN rail mounting), with space enough for external connections

