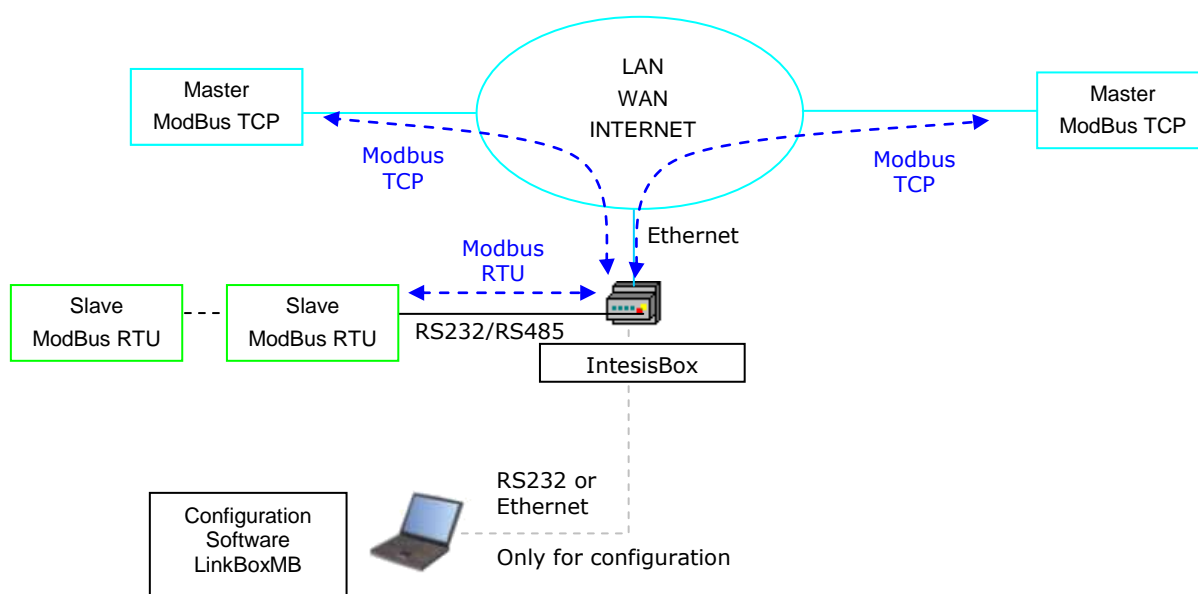


IntesisBox®

Modbus TCP Server - Modbus RTU Master

Communicate with ModBus RTU slaves remotely using ModBus TCP, with the advantage of having various Modbus TCP masters accessing the same RTU slaves simultaneously.




Transparent operation: the ModBus TCP telegrams are converted to ModBus RTU and vice-versa transparently.

When more than one ModBus TCP master is connected, the queries of each master are appropriately alternated, handling the waiting queues and RTU bus access.

Simple configuration, only needed the IP address, Net Mask, RS232 or RS485, baud rate, parity and stop bits. All is done using LinkBoxMB software for windows, provided with the gateway without additional cost, quickly and easily.

The ModBus TCP port act as a slave, the ModBus RTU port act as a master.

Description

IntesisBox Modbus TCP Server - Modbus RTU Master	
Order Code	Description
IBOX-MBS-TCP2RTU 	<p>This gateway allows to communicate with ModBus RTU slave devices from any Modbus TCP master. The gateway act as a Modbus TCP slave device.</p> <p>Main features</p> <ul style="list-style-type: none">• Software for configuration and test also supplied.• DIN rail or wall mounting.• Power from 9..30Vdc or 24Vac. <p>ModBus features</p> <ul style="list-style-type: none">• ModBus TCP slave.• ModBus RTU over RS232 or RS485 selectable.• Comm. Parameters configurable: IP address, baud rate, etc.• Transparent operation, no address map to define.• Maximum 32 ModBus TCP masters allowed simultaneously.

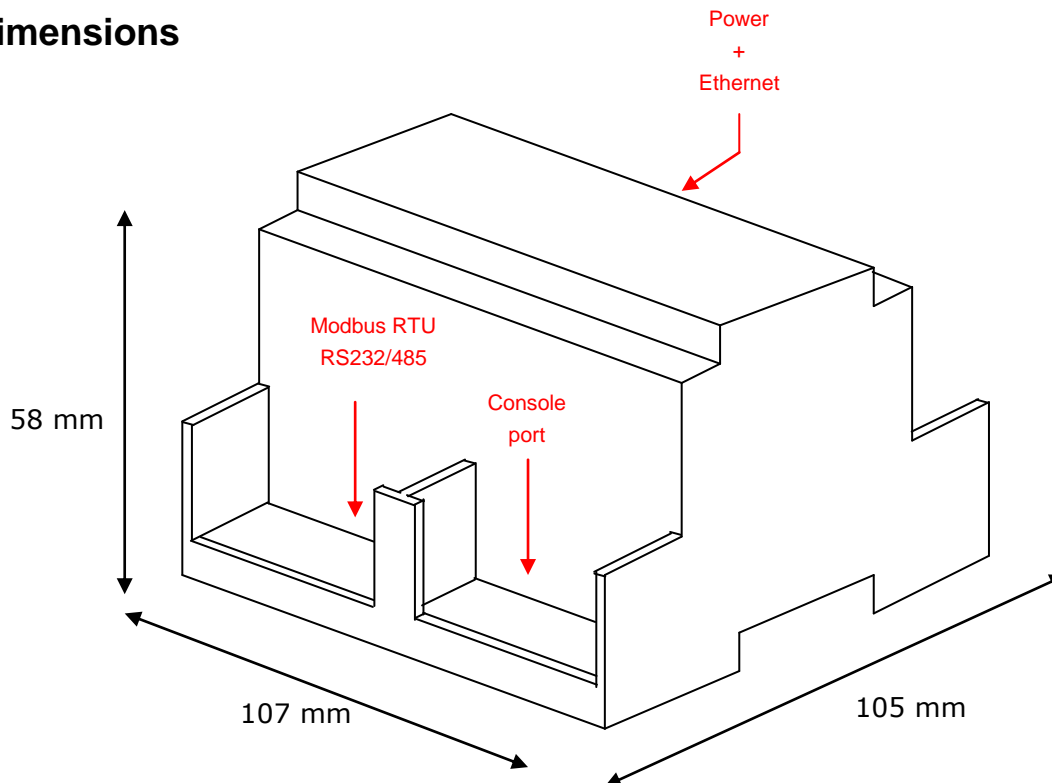
Mechanical and Electrical characteristics



Envelope	Plastic, type PC (UL 94 V-0). Dimensions: 107mm x 105mm x 58mm.
Colour	Grey. RAL 7035.
Power	9 to 30Vdc +/-10% 1.4W. 24Vac +/-10% 1.4VA. Power connector is a two pole plug-in terminal block (screws).
Mounting	Wall. DIN rail EN60715 TH35.
Modbus RTU ports	1 x Serial RS232 (DB9 male DTE). 1 x Serial RS485 (two pole plug-in terminal block, screws).
Modbus TCP port	1 x Ethernet 10BT RJ45.
LEDs	1 x Power. 2 x Serial port activity (Modbus RTU) (Tx, Rx). 2 x Ethernet port activity (LNK, ACT).
Console port	RS232. DB9 female (DCE).
Configuration	Via console port. ¹
Firmware	Allows upgrades via console port.
Operating temperature	0°C to +70°C
Operating relative humidity	5% to 95%, non condensing.
Protection	IP20 (IEC60529).
RoHS Conformity	Compliant with RoHS Directive (2002/95/CE).
Certifications	CE

¹ Along with the device it is also supplied a standard DB9 male - DB9 female 1.8 m. cable for configuring and monitoring the device using a PC via serial COM port. The configuration software, compatible with MS Windows[®] operating systems, is also supplied.

Dimensions



Recommended available space for its installation into a cabinet (wall or DIN rail mounting), with space enough for external connections:

